



INSTALLATION AND OPERATION MANUAL

ENGLISH



Jandy® Pro Series Diatomaceous Earth Pool Filters DEV

WARNING

FOR YOUR SAFETY - This product must be installed and serviced by a contractor who is licensed and qualified in pool equipment by the jurisdiction in which the product will be installed where such state or local requirements exist. The maintainer must be a professional with sufficient experience in pool equipment installation and maintenance so that all of the instructions in this manual can be followed exactly. Before installing this product, read and follow all warning notices and instructions that accompany this product. Failure to follow warning notices and instructions may result in property damage, personal injury, or death. Improper installation and/or operation will void the warranty.



Improper installation and/or operation can create unwanted electrical hazard which can cause serious injury, property damage, or death.

ATTENTION INSTALLER - This manual contains important information about the installation, operation and safe use of this product. This information should be given to the owner/operator of this equipment.

Table of Contents

<p>Section 1. Safety Information 4</p> <p>1.1 Important Safety Warning..... 4</p> <p>1.2 General Safety Instructions 4</p> <p>Section 2. General Information 5</p> <p>2.1 Introduction..... 5</p> <p>2.2 Description 5</p> <p>2.3 General Requirements 5</p> <p>2.4 DE Requirements 5</p> <p>2.5 Specifications and Dimensions 5</p> <p>Section 3. Installation Instructions 6</p> <p>3.1 Filter Location..... 6</p> <p>3.2 Anchor Bracket Installation..... 6</p> <p>3.3 Filter Preparation..... 6</p> <p>3.4 Filter Plumbing 7</p> <p>3.5 Clamp Installation, DEV Series 8</p> <p>Section 4. Start-Up and Operation 9</p> <p>4.1 Preparing Diatomaceous Earth 9</p> <p>4.2 Coating the Filter Grids 10</p> <p>4.3 New Pool and Seasonal Start-up 10</p> <p>4.4 Valve Operation..... 10</p>	<p>Section 5. Filter Disassembly and Assembly 11</p> <p>5.1 Filter Tank Disassembly/Assembly..... 11</p> <p>5.2 Filter Grid Disassembly/Assembly..... 11</p> <p>Section 6. Maintenance..... 12</p> <p>6.1 General Maintenance 12</p> <p>6.2 Backwashing 12</p> <p>6.3 Pressure Gauge 12</p> <p>6.4 Cleaning the Filter Grids with Water..... 12</p> <p>6.5 Cleaning Filter Grids with Muriatic Acid 13</p> <p>Section 7. Winterizing 13</p> <p>Section 8. Troubleshooting 13</p> <p>Section 9. Parts List and Exploded View 15</p> <p>9.1 Jandy DEV Filter Parts List 15</p> <p>9.2 Exploded View of Jandy DEV Filter..... 15</p> <p>Section 10. Head Loss Curves 16</p> <p>10.1 Jandy DEV Filter Design Head Loss Curves 16</p>
--	--

EQUIPMENT INFORMATION RECORD	
DATE OF INSTALLATION	_____
INSTALLER INFORMATION	_____
INITIAL PRESSURE GAUGE READING (WITH CLEAR FILTER)	_____
PUMP MODEL	_____
HORSEPOWER	_____
FILTER MODEL	_____
SERIAL NUMBER	_____
NOTES:	_____

Section 1. Safety Information

1.1 Important Safety Warning



⚠ WARNING

- Do not connect system to an unregulated city water system or other external source of pressurized water producing pressures greater than 35 PSI.
- Pressurized air in system can cause product failure or also cause the filter lid to be blown off which can result in death, serious personal injury, or property damage. Be sure all air is out of system before operating or testing the equipment.



⚠ WARNING

MAXIMUM OPERATING PRESSURE OF THE FILTER IS 50 PSI. NEVER SUBJECT THE FILTER TO ANY OPERATING PRESSURE EXCEEDING 50 PSI.

This filter operates under high pressure. When any part of the circulating system, i.e., filter, pump, valve(s), clamp, etc. is serviced, air can enter the system and become pressurized when the system is restarted. Pressurized air can cause product failure or also cause the filter lid to be blown off which can result in death, serious personal injury or property damage. To avoid this potential hazard, follow all of the instructions in this manual.



⚠ WARNING

To minimize risk of severe injury or death the filter and/or pump should not be subjected to the piping system pressurization test.

Local codes may require the pool piping system to be subjected to a pressure test. These requirements are generally not intended to apply to the pool equipment such as filters or pumps.

Jandy Pro Series pool equipment is pressure tested at the factory.

If however this WARNING cannot be followed and pressure testing of the piping system must include the filter and/or pump **BE SURE TO COMPLY WITH THE FOLLOWING SAFETY INSTRUCTIONS:**

- Check all clamps, bolts, lids, lock rings and system accessories to ensure they are properly installed and secured before testing.
- **RELEASE ALL AIR** in the system before testing.
- Water pressure for test must **NOT EXCEED 35 PSI**.
- Water temperature for test must **NOT EXCEED 100°F (38°C)**.
- Limit test to 24 hours. After test, visually check system to be sure it is ready for operation.

Notice: These parameters apply to Jandy Pro Series equipment only. For non-Jandy equipment, consult equipment manufacturer.

1.2 General Safety Instructions



ATTENTION INSTALLER

This manual contains important information about the installation, operation and safe use of this product. This information should be given to the owner/operator of this equipment.

1. Use equipment only in a pool or spa installation.
2. Before repositioning valve(s) and before beginning the assembly, disassembly, or adjustment of the clamp, or any other service of the circulating system; (A) **turn the pump off** and shut off any automatic controls to ensure the system is not inadvertently started during servicing; (B) open the air release valve; (C) wait until all pressure is relieved (air will have stopped flowing from the air release valve).
3. Whenever installing the filter clamp **follow Section 3.5** of this manual, "**Clamp Installation**".
4. Once service on the circulation system is complete, **follow Section 4** of this manual, "**Start-up and Operation**".
5. Maintain circulation system properly. Replace worn or damaged parts immediately.
6. Be sure that the filter is properly mounted and positioned according to these installation instructions.
7. Do not pressure test above 35 PSI. Pressure testing must be done by a trained pool professional.

READ AND FOLLOW ALL INSTRUCTIONS

Section 2. General Information

2.1 Introduction

This manual contains information for the proper installation and operation of the DEV Jandy Diatomaceous Earth (DE) Filters. Procedures in this manual must be followed exactly. For technical assistance, contact our Technical Support Department at 1.800.822.7933.

2.2 Description

Dirty water flows into a two or three port diverter valve, then into the filter through the lower bulkhead on the bottom of the tank and is directed through the DE grids. The debris is collected on the surface of the grids as the water flows through them. The clean water is directed into the manifold, then through the outlet tube, and finally, out of the filter through the upper bulkhead on the bottom half of the tank. The filtered water then goes through the two or three port diverter valve and is returned through the piping system to the pool.

As debris collects in the filter, the pressure will rise and water flow to the pool will diminish. The filter will eventually become so plugged with debris that it will be necessary to perform the backwash procedure. It is important to know when to backwash the filter. See Section 6 for further discussion of backwashing the filter.

NOTE A filter removes dirt and other suspended particles but does not sanitize the pool. Pool water must be sanitized and chemically balanced for clear water. The filtration system should be designed to meet local health codes. At a minimum, the system should turnover the total volume of water in your pool two to four times in a 24-hour period.

2.3 General Requirements

1. For best overall performance, place the system as close to the pool as possible.
2. The filter should be located on a level concrete slab so that the orientation of the valve outlets and the pressure gauge are convenient and accessible for the installation and operation of the unit.
3. Protect the filter from the weather.
4. If fitting a chlorinator and/or any other device into the filtration plumbing circuit, great care must be exercised to ensure that the appliance is installed in accordance with the Manufacturer's Instructions and any standards that may exist.
5. We recommend the use of barrel unions to connect each component of the water conditioning system to ease in future servicing. Barrel unions are provided with all Jandy filters.

⚠ WARNING

The maximum working pressure for this filter is 50 psi. Never subject the filter to working pressure exceeding 50 psi. Working pressures above 50 psi can cause product failure or also cause the filter lid to be blown off, which can result in death, serious personal injury, or property damage

6. When performing hydrostatic pressure tests or when testing for external leaks of the completed filtration and plumbing system, ensure that the maximum pressure the filtration system is subjected to **does not exceed the maximum working pressure of any of the components within the system.**

2.4 DE Requirements

See your local pool distributor or dealer for DE type recommendations. See Table 2 on page 10 for the amount of DE to be used.

2.5 Specifications and Dimensions

See Table 1 and Figure 1.

Table 1. DE Filter Specifications

	DEV48	DEV60
Filter Area (ft ²)	48	60
Design Flow Rate (gpm/ft ²)	2.00	2.00
Max Flow Rate Residential (gpm)	120	150
Max Flow Rate Commercial (gpm)	96	120
Six Hour Capacity (gal)	34,560	43,200
Normal Start Up Pressure (psi)	6-15	6-15
Max. Working Pressure (psi)	50	50
Dimension "A"	41 in.	47 in.

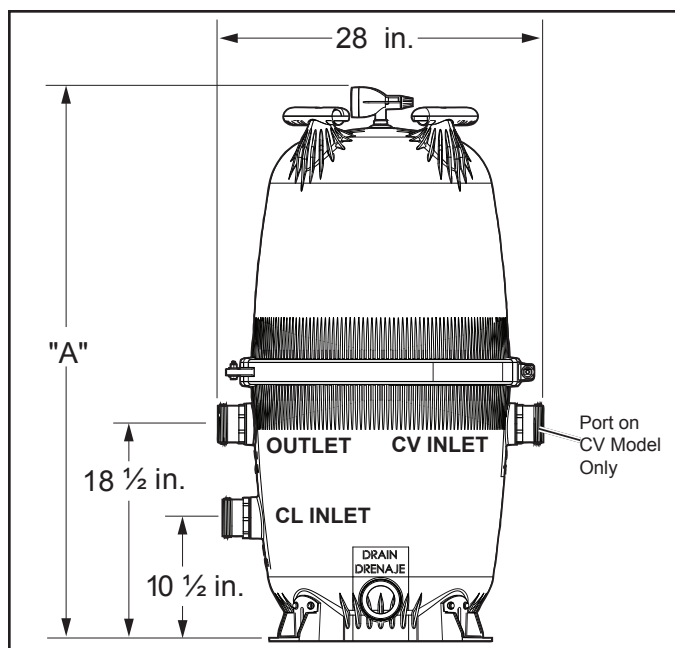


Figure 1. Dimensions, Jandy DEV Series Filter with Jandy NeverLube® Backwash Valve

Section 3. Installation Instructions

⚠ WARNING

Use equipment only in a pool or spa installation. Do not connect system to an unregulated city water system or other external source of pressurized water producing pressures greater than 35 psi.

3.1 Filter Location

1. Select a well-drained area, one that does not flood when it rains. Damp, non-ventilated areas should be avoided.
2. The filter should be installed on a firm, solid, and level surface or platform to avoid risk of settlement. Do not use sand to level the filter as the sand will wash away; filter systems can weight up to 800 pounds once loaded with media. Check local building codes for additional requirements. (Ex. Equipment pads in Florida must be concrete and equipment must be secured to the pad.)
3. Install electrical controls at least five (5) feet from the filter. This will allow enough room to stand away from the filter during start-up.
4. Allow sufficient clearance around the filter to permit a visual inspection of the clamp ring. See Figure 2.
5. Allow sufficient space above the filter to remove the filter lid and filter element for cleaning and servicing.
6. Position the filter to safely direct water drainage. Align the air release valve to safely direct pressurized purged air or water.

⚠ WARNING

Water discharged from an improperly positioned filter or valve can create an electrical hazard which can cause death, serious injury or property damage.

CAUTION

Maintain your pressure gauge in good working order. The pressure gauge is the primary indicator of how the filter is operating.

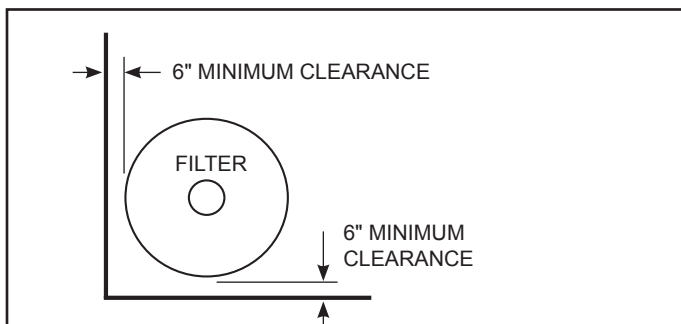


Figure 2. Filter Location

7. If the filter needs to be located above the water level of the pool, it can be raised 2.5 ft. without affecting the pump efficiency. A check valve is recommended on the suction line to the pump.
8. If the filter is to be installed below the water level of the pool, isolation valves should be installed on both the suction and return lines to prevent back flow of pool water during any routine servicing that may be required.

3.2 Anchor Bracket Installation

In Florida, building codes require that all appliances be securely fastened to the equipment pad in order to withstand high wind pressures created by hurricanes. Zodiac Pool Systems, Inc. provides an anchor bracket kit for this purpose. Please see the Parts List in Section 9 of this manual for the correct part number.

NOTE Anchor screws and washers are not included with the filter or the anchor bracket kit. Zodiac® recommends that a 1/4" x 2 1/4" long stainless steel Tapcon® type concrete screw be used to mount the anchor bracket to the equipment pad. The Tapcon type concrete screw meets Florida building code requirements.

After placing the filter on the equipment pad, as outlined in Section 3.1, drill a 5/32" hole in the concrete at each of the four (4) brackets on the filter. (The correct size drill bit is usually provided with the concrete screws when purchased.)

Install the Tapcon screws and washers through each of the four (4) anchor brackets to secure the filter to the equipment pad. See Figure 3. **Do not over-torque the screws.**

3.3 Filter Preparation

1. Check carton for damage due to rough handling in shipment. If carton or any filter components are damaged, notify carrier immediately.
2. Carefully remove the accessory package.
3. With the carton in an upright position, remove the filter tank from the carton.

CAUTION

DO NOT move the filter tank without the shipping screw in place or the filter grids may be damaged while installing the filter tank.

4. A visual inspection of all parts should be made now. See the parts list on page 15.

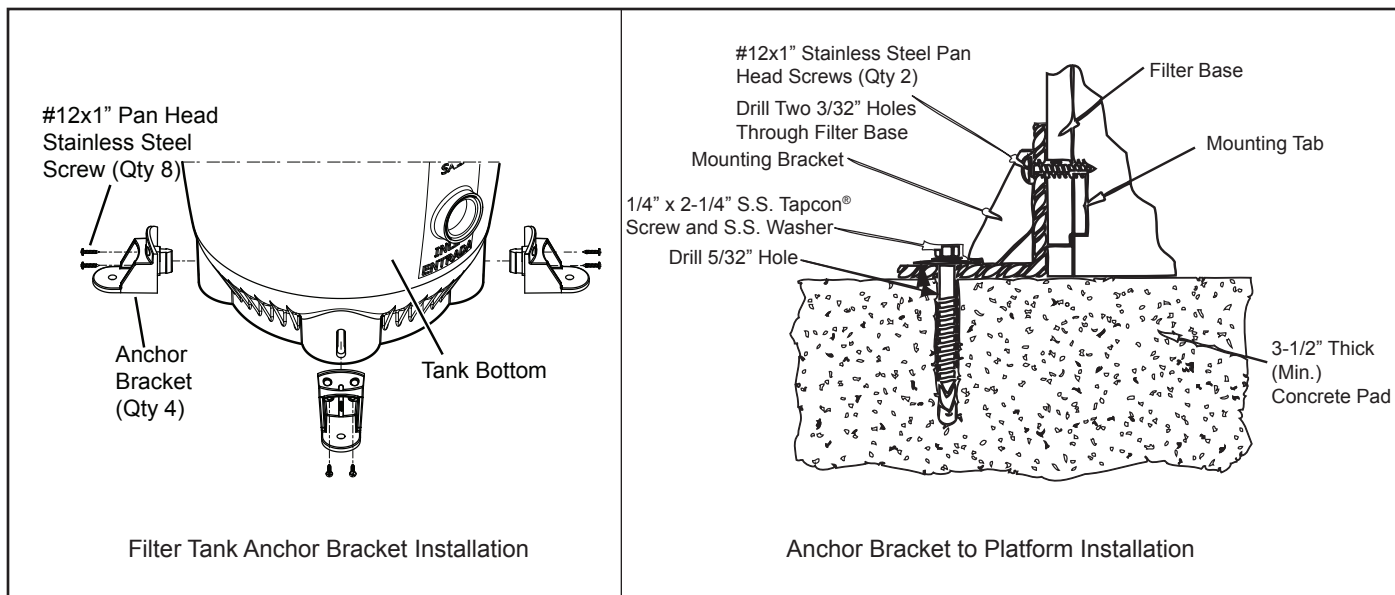


Figure 3. Anchor Filter to Equipment Pad

3.4 Filter Plumbing

⚠ WARNING

To avoid an electrical shock hazard, which can result in serious injury or death, ensure that all electrical power to the system is turned off before approaching, inspecting or troubleshooting any leaking valves or plumbing that may have caused other electrical devices in the surrounding area to get wet.

1. This filter operates under pressure. When clamped properly and operated without air in the water system, this filter will operate in a safe manner.
2. If doubt exists as to the pressure which the system will be subjected to, install an ASME® approved automatic Pressure Relief Valve or Pressure Regulator in the circulation system set to the lowest working pressure of any of the components in the system.
3. Place the filter on the concrete pad, lined up with the inlet/outlet pipes, see Figure 4. **Remove the shipping screw.**
4. To mount the pressure gauge/air release assembly to the top of the filter tank (located in the accessory bag):

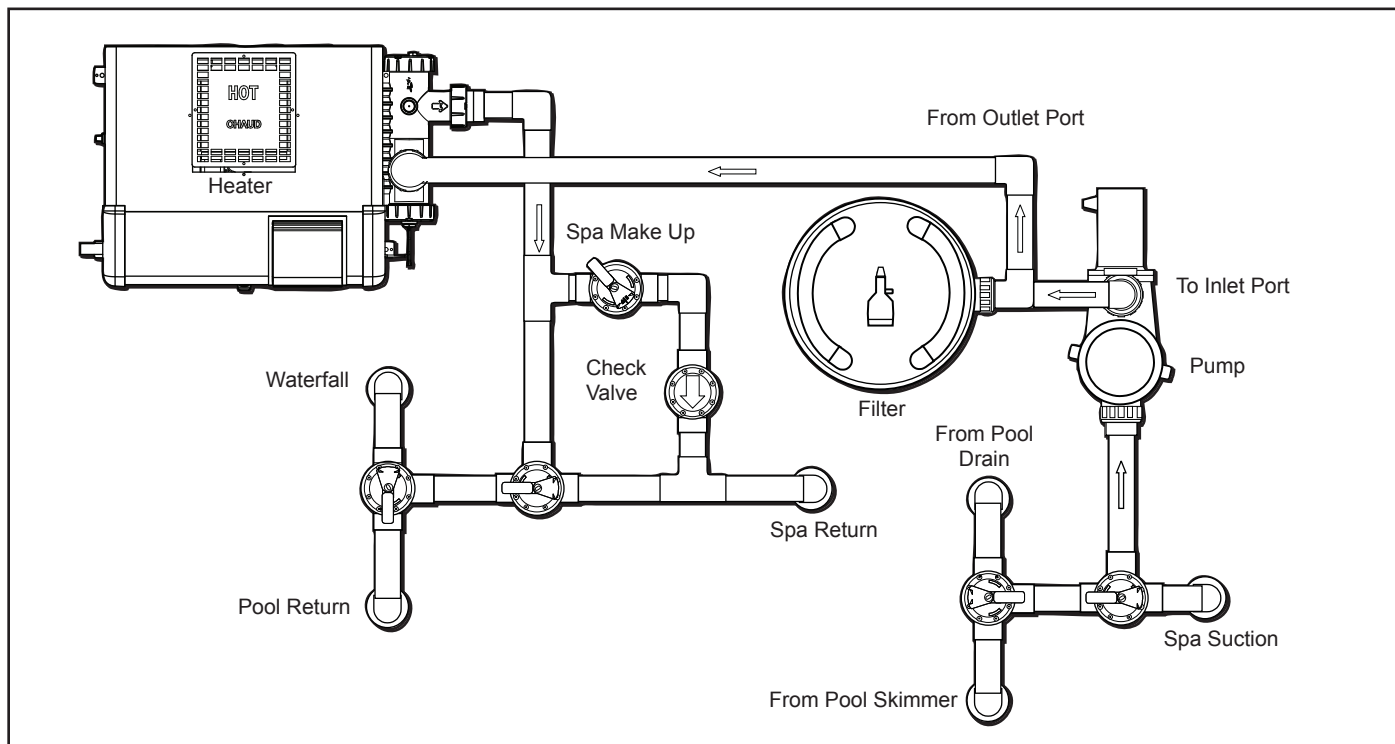


Figure 4. Basic Pool/Spa Combination Plumbing

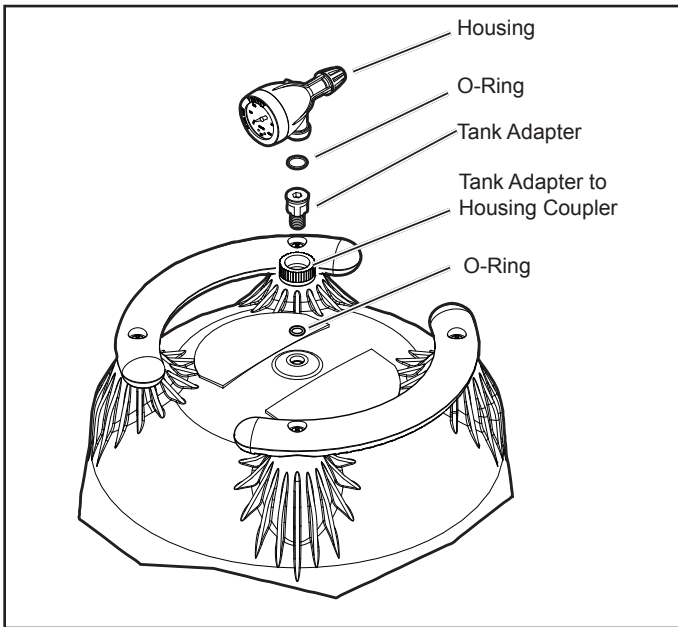


Figure 5. Pressure Gauge/Air Release Assembly

- a. Place the smaller, thicker o-ring onto the threads of the tank adapter, see Fig. 5. Slide the tank adapter through the coupling nut and into the filter tank. Use the flats on the tank adapter to tighten. Do not overtighten.
 - b. Place the larger, thinner o-ring onto the gauge housing. Thread the housing into the coupler on the tank adapter.
 - c. Orient the gauge/air release assembly in the desired position. Raise and thread the locknut onto the bottom of the gauge/air release assembly. **Hand tighten the nut only.** Using a wrench to tighten the nut may damage the nut, gauge or air release assembly.
5. To reduce pressure losses, 2" (minimum) piping is recommended for plumbing the system.
 6. For best efficiency use the fewest possible number of fittings. This will prevent a restriction in the water flow.
 7. Make all plumbing connections in accordance with local plumbing and building codes. Filter connections are provided with an o-ring seal. To avoid damage to the o-rings, use only a silicone base lubricant on the o-rings. **Do not use pipe joint compound, glue or solvent on inlet/outlet union coupling nuts.**
 8. Keep piping tight and free of leaks. Pump suction line leaks may cause air to be entrapped in filter tank or loss of prime at the pump. Pump discharge line leaks may show up as dampness or jets of water.

9. Support the inlet/outlet pipes independently to prevent any undue strains on the filter's two (2) or three (3) port diverter valve.
10. Connect the pipes using the unions supplied with the filter. **Do not use teflon tape or pipe dope on any unions.** Assemble the unions dry and hand tighten.

CAUTION

Be sure that all provisions for wastewater disposal meet local, state or national codes. During any backwashing or draining process, 100 gallons or more of pool water will be discharged. Do not discharge water where it will cause flooding or damage.

3.5 Clamp Installation, DEV Series

1. Be certain that the o-ring seat is clean and that the o-ring is in position in the lower tank half. Press the filter lid onto the lower half, sandwiching the o-ring between the two (2) halves.
2. Holding the ends of the filter clamp apart, position the hinged segment of the filter clamp over both upper and lower tank flanges. Bring the ends of the filter clamp together.
3. Place the "T" nut and threaded rod assembly into the clamp. Be sure the "T" nut is seated in the clamp in the proper orientation. See Figure 6.
4. Use a 9/16" socket on the tightening nut until the clamp ring halves touch each other, or are within 1/16", see Fig. 7 **but do not overtighten as the clamp can break.** If unable to tighten as indicated, do not operate the filter and **call a service technician immediately.**

! WARNING



Follow these instructions carefully. Improper clamp installation can cause product failure or also cause the filter lid to be blown off, which can result in death, serious injury, or property damage.

! WARNING



NEVER start pump while standing within five (5) feet of the filter. Starting the pump while there is pressurized air in the system can cause product failure or also cause the filter lid to be blown off, which can cause death, serious personal injury or property damage.

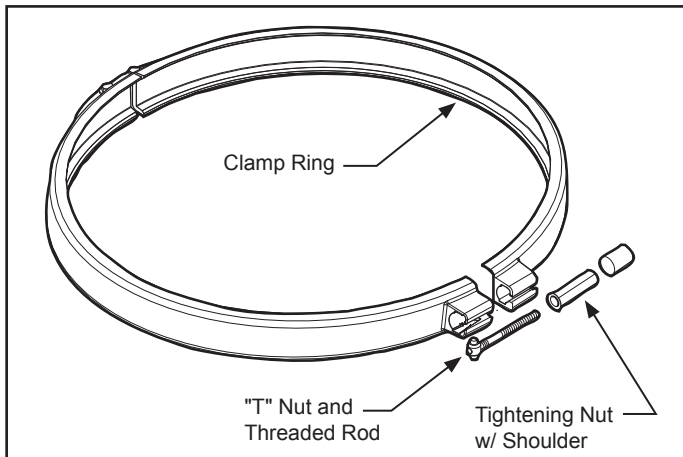


Figure 6. Filter Clamp Ring

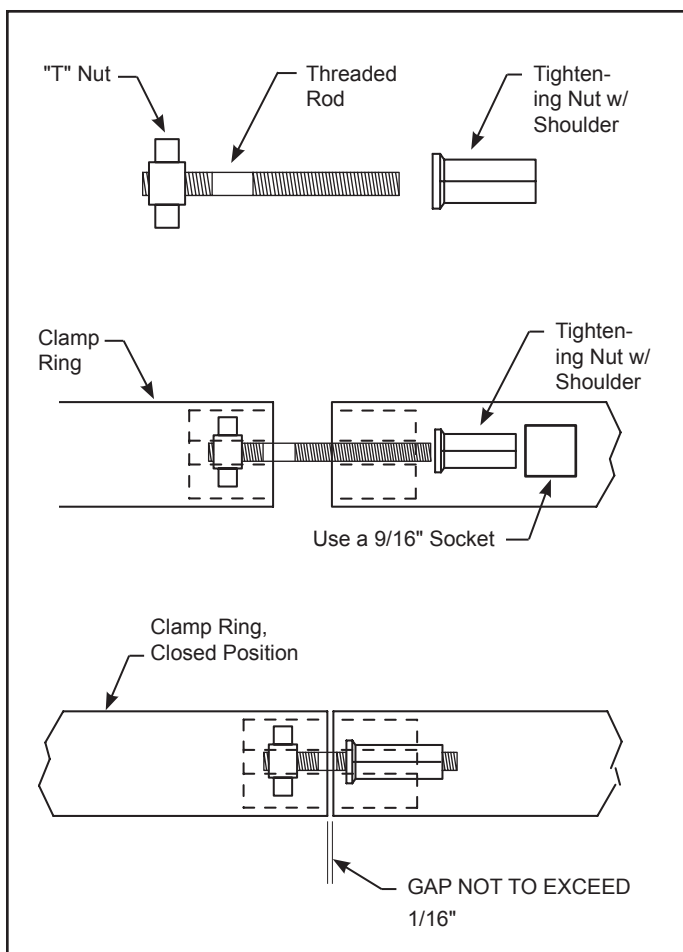


Figure 7. Filter Clamp Ring Assembly

⚠ WARNING

Changing the two (2) or three (3) port diverter valve handle while there is pressurized air in the system can cause product failure or also cause the filter lid to be blown off, which can cause death, serious personal injury or property damage.

CAUTION

Dust released during normal handling of diatomaceous earth can cause eye and respiratory irritation. Prolonged breathing of excess concentrations of dust may cause lung damage.

CAUTION

Never operate the filter in excess of three (3) minutes without use of diatomaceous earth (DE). DE is the substance that filters the water, the filter cloth merely supports the DE. Operating without DE will damage filter grids and shorten filtering cycles.

CAUTION

DO NOT operate the filter at water temperatures above 105° F (40.6° C). Water temperatures above the manufacturer's recommendations will shorten the life span of the filter and void the warranty.

5. After the first week of operation, check the clamp and retighten if necessary.
6. Check the filter clamp at least once a month.

Section 4. Start-Up and Operation

4.1 Preparing Diatomaceous Earth

Your filter requires diatomaceous earth (DE) for proper filtration and operation. The filter grids must be precoated with DE in order to protect their surfaces and provide the most efficient filtering action. Refer to Table 2 for the proper quantity of DE to use with your filter.

1. Using a one (1) pound coffee can, fill the can with diatomaceous earth (DE). Do not pack or compress the DE into the can.
2. Mix the required amount of DE with sufficient water in a separate bucket to make a thin, milky mixture (slurry).

NOTE Excess DE will clog the system. Use amount specified in this manual.

3. Use the following instructions to coat the filter grids.

⚠ WARNING



NEVER operate the filter system at more than 50 psi of pressure. Operating filter system in excess of 50 psi can cause product failure or also cause the filter lid to be blown off, which can cause death, serious personal injury or property damage.

Table 2. DE Slurry Mixture

Model No.	DE Quantity		No. of 1 lb. Coffee Cans
	(lbs.)	(kg.)	
DEV48	5.0	2.0	10
DEV60	6.0	2.7	12

4.2 Coating the Filter Grids

1. Prepare the recommended amount of DE as outlined in Section 4.1.
2. Start the filter system as outlined in Section 4.3.
3. With the pump running and the pool skimmer valve open, slowly pour the mixture directly into the pool's skimmer basket. The slurry will be drawn into the filter.
4. After coating grids, rotate the bezel of the pressure gauge so that the arrow next to the word "CLEAN" is aligned with the needle of the gauge. This marks the original starting pressure of the system.
5. Clean the filter when the pressure of the system increases so that needle of the gauge aligns with the arrow next to the word "DIRTY" on the bezel of the gauge. This indicates an increased pressure of between 10 and 12 psi above original starting pressure.

4.3 New Pool and Seasonal Start-up

1. Set the filter valve (two (2) or three (3) port diverter or backwash) to the "FILTER" position.
2. Open the pump hair/lint pot lid and fill the pump basket with water to prime the system. Replace the lid. (You may have to do this several times on new and seasonal start-ups.)
3. Completely open the air release valve on the gauge/air release assembly by turning the knob on the back of the assembly fully counterclockwise (do not remove the knob).
4. Be sure to open any filter isolation valves that were installed in the system and make sure that the filter drain plug is in place.
5. **Stand clear of the filter** and start the pump to circulate water through the system. When a steady stream of water starts to come out of the air release valve, close the valve.
6. If this is a new filter, or the filter has just been backwashed, add the DE slurry as described in section 4.2.

7. Watch the pressure gauge to be sure that the pressure does not exceed 50 psi in the filter for normal operation. If the pressure approaches these limits, turn off the pump and backwash the filter, see Section 6.2. If the pressure remains high after backwashing and reapplying the DE slurry, refer to the troubleshooting guide on page 14 to identify possible causes and solutions.
8. After the pressure gauge has stabilized, turn the bezel ring so that the arrow next to the word "CLEAN" aligns with the needle of the gauge. As the filter cleans the water, the grids will clog over time, and the pressure will increase. When the needle of the pressure gauge aligns with the arrow next to the word "DIRTY" on the bezel ring, it is time to backwash the filter. See Section 6.2.

4.4 Valve Operation

1. The flow of water through a DE filter is controlled by an optional backwash valve or two (2) or three (3) port diverter valve.
2. The handle on top of the backwash valve or diverter valve can be moved to different positions. The function of each position is described below. See Figure 8.

NOTE Depending on the model of backwash valve or diverter valve installed with your filter, it may have all or only some of the positions described in Table 3.

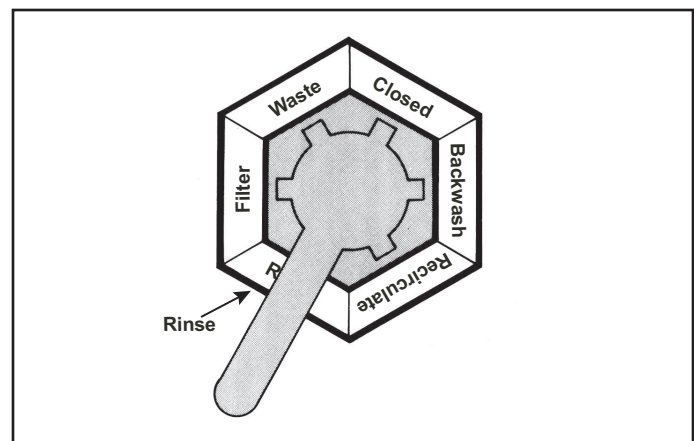


Figure 8. Diverter Valve Handle Positions

⚠ WARNING



NEVER attempt to assemble, disassemble or adjust the filter when there is pressurized air in the system. Starting the pump while there is any pressurized air in the system can cause product failure or also cause the filter lid to be blown off, which can cause death, serious personal injury or property damage.

Table 3. Valve Positions for Diverter Valve

Position	Function
FILTER	Normal filtration and vacuuming.
BACKWASH	Cleaning filter by reversing the flow.
RINSE	Used after backwash to flush dirt from the valve.
WASTE	Bypasses filter; used for vacuuming waste or lowering water level.
RECIRCULATE	Bypasses filter for circulating water to the pool.
CLOSED	Shuts off all flow to the filter and pool.

Section 5. Filter Disassembly and Assembly

5.1 Filter Tank Disassembly/Assembly

1. Backwash filter according to the instructions in Section 6.2.

NOTE Omit this step when first starting a new filter.

2. Turn off the pump. Switch off the circuit breaker to the pump motor.
3. **IMPORTANT: Completely open air release valve on top of the filter tank to release all pressure from inside the tank and system.**
4. If the equipment is installed below water level, close the filter isolation valves on the system to prevent flooding.
5. Close the filter isolation valves on the system to prevent flooding. Remove the drain plug located at the bottom of the filter tank and allow the tank to drain.
6. Remove the tank clamp ring from the filter and remove the tank lid. Inspect the tank o-ring for cracks or tears and replace if necessary
7. Pull the DE filter grid assembly out of the filter tank bottom. Use the handles molded into the manifold to aid lifting.

8. While the DE filter grid assembly is out of the filter tank, rinse the inside of the tank with water. Replace drain plug.
9. Gently rinse the grids with water. After cleaning the filter grids, place the grid assembly back into the filter tank bottom. See Sections 6.4 and 6.5 for further grid cleaning instructions.
10. Replace the tank o-ring and tank lid.
11. Reinstall the tank clamp ring. See Section 3.5 for tank clamp ring installation.
12. If applicable, open the valves closed in step 4.

5.2 Filter Grid Disassembly/Assembly

1. Remove the complete grid assembly by following the instructions in Section 5.1, steps 2-6.
2. Remove the manifold by first unscrewing the tie rod knob in the center of the manifold. Then lift the manifold assembly off of the grids and the outlet tube.
3. Remove the top spacer from the grids.
4. The individual filter grids can now be removed from the grid support. Use care to avoid damaging the grids.
5. See Figure 8 for the arrangement of filter grids in the filter grid assembly.
6. To reassemble the filter grid assembly, arrange the filter grids into position on the bottom plate, see Fig. 9. Use the plastic top spacer to hold the grids in place.

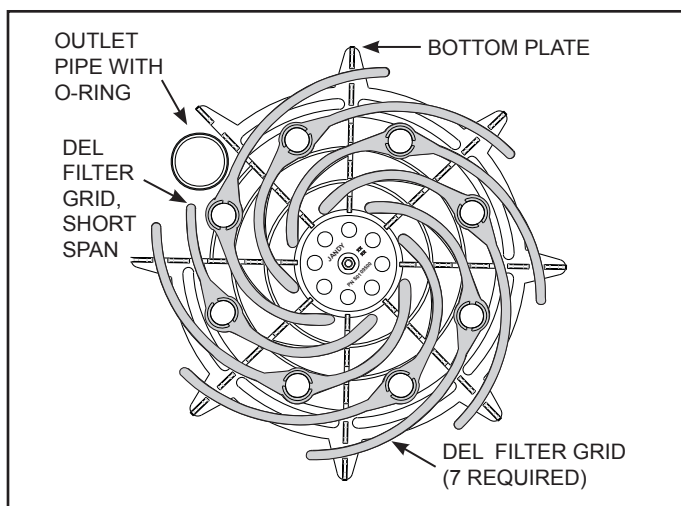


Figure 9. Filter Grid Arrangement

7. Inspect the o-ring at the top of the outlet tube for cracks or excessive wear. Replace if necessary.
8. Assemble the manifold to the top of the assembly. Make sure that the grids and outlet tube fit securely into the manifold and that the retaining rod extends up through the hole in the center of the manifold.

9. Place the tie rod knob on the tie rod and tighten. Tighten until the filter grid assembly is snug. Do not overtighten.
10. Reassemble the tank o-ring and tank lid.
11. Reinstall the tank clamp ring. See Section 3.5 for clamp installation.

Section 6. Maintenance

6.1 General Maintenance

1. Wash outside of filter with a mild detergent and water. Rinse off with a hose. ***Do not use solvents to clean the filter. Solvents will damage the plastic components of the filter.***
2. Inspect the DE filter grids at least twice a year. Remove any foreign material that has not been backwashed out of the system.
3. Check pressure during operation at least once a week.
4. Remove any debris from the pumps and pool skimmer baskets.
5. Check pump and filter for any leaks. If any leaks develop, ***turn off the pump and call a pool service technician.***
6. Product safety signs or labels should be periodically inspected and cleaned by the product user as necessary to maintain good legibility for safe viewing distance.
7. Product safety signs or labels should be replaced by the product user when a person with normal vision, including corrected vision, is no longer able to read the safety signs or label message panel text at a safe viewing distance from the hazard. In cases where the product has an extensive expected life or is exposed to extreme conditions, the product user should contact either the product manufacturer or some other source to determine means for obtaining replacement signs or labels.

CAUTION

Be sure that all provisions for wastewater disposal meet local, state or national codes. One hundred gallons (100 gals.) or more of pool water will be discharged during filter backwashing. Do not discharge water where it will cause flooding or damage.

8. Installation of new replacement safety signs or labels should be in accordance with the sign or label manufacturer's recommended procedure.

6.2 Backwashing

1. With the filter pump off, set the backwash valve or diverter valve handle to the "BACKWASH" position.

CAUTION

Maintain your pressure gauge in good working order. The pressure gauge is the primary indicator of how the filter is operating.

2. Open the air release valve.
3. Stand clear of the filter and start the pump to circulate the water backwards through the filter to the waste line.
4. When a steady stream of water is expelled through the air release valve, close the valve.
5. Run the pump until the backwash discharge water is clear (repeat steps 1 thru 5 if required).
6. Switch the filter pump ***off***.
7. Follow the procedure for coating the filter grids as described in Section 4.2.

6.3 Pressure Gauge

1. During operation of the filtration system, check the pressure gauge/air release assembly for air or water leaks at least once a week.
2. Keep the pressure gauge in good working order. If you suspect a problem with the gauge, Zodiac® recommends that you call a service technician to do any work on the filter/pump system.

6.4 Cleaning the Filter Grids with Water

1. Turn off the pump and switch off the circuit breaker to the pump motor. Open the air release valve on top of the filter tank. Close the filter isolation valves. Remove the drain plug.
2. ***Once all pressure has been relieved***, remove the clamp ring and the filter lid. Inspect the o-ring for cracks or tears and replace if necessary.
3. Remove the filter grid assembly from the filter. Follow the instructions in Section 5.1.
4. Using a garden hose, thoroughly flush all contaminants from the filter grid surfaces.

WARNING

Working with muriatic acid can be dangerous. When cleaning filter grids, always wear rubber gloves and eye protection. Add acid to water, do not add water to acid. Splashing or spilling acid can cause severe personal injury and/or property damage.

5. See Section 5.2 for reassembly of the filter tank and filter grids.

6.5 Cleaning Filter Grids with Muriatic Acid

1. Check with your local pool store or service company to see if they offer filter grid de-scaling services.
2. Stiffening of the filter grid fabric is caused by mineral deposit buildup. It is usually due to deposits of either magnesium, calcium, alkalines or carbonates. Removal of these deposits may be accomplished by soaking the filter grids in a plastic tub or pail with six (6) parts water to one (1) part hydrochloric acid (muriatic acid).
3. Wear rubber gloves and eye protection when mixing the solution, and handling or rinsing the filter grids.
4. Soak for at least four (4) hours.
5. Rinse the filter grids thoroughly with water.
6. See Sections 5.1 and 5.2 for reassembly of the filter tank and filter grids.

Section 7. Winterizing

1. Turn *off* the pump and circuit breakers.
2. Open the air release valve and move the diverter valve handle to a position between two (2) ports. This will allow air to flow to all ports.
3. Remove the drain plug at the base of the filter to ensure that the tank is empty. Store the drain plug and seal it in a safe place. Do not reinstall until next season at start-up.
4. Drain system piping of all water.
5. Cover the system with a tarpaulin or plastic sheet to protect it from the weather.

Section 8. Troubleshooting

1. For a list of common problems and solutions, see the Troubleshooting Guide on the following page.
2. Zodiac® recommends that you call a service technician to do any work on the filter/pump system. For technical assistance, contact our Technical Support Department at 1.800.822.7933.

Table 4. Troubleshooting Guide

Fault Symptom	Possible Problems	Solutions
Water is not clear.	Insufficient disinfectant level. Incorrect pool chemistry. Heavy bathing and/or dirt loads. Insufficient running times. Filter is dirty. Hole in filter element.	Check and adjust disinfectant level. Test and adjust water chemistry. Adjust filter time and/or water chemistry. Increase pump run time. Backwash filter per instructions. Replace filter grids.
Low water flow.	Filter system strainer baskets dirty. Air leaks on suction side of pump. Restrictions or blockage in either suction or return lines. Filter grids need to be cleaned or replaced. Pool water level too low. Pump not primed. Pump impeller vanes blocked. Pump operating under speed (low voltage).	Check and clean skimmer and pump baskets. Check all connections between pool intake and pump. Check all lines for debris or partially closed valves. Clean or replace filter grids per instructions. Fill pool so level is above pump inlet line. Fill pump with water at basket and replace lid. Technician required. Technician or electrician required.
Short filter cycles.	Presence of algae clogging filter. Incorrect water chemistry. Strainer baskets not being used and/or broken. (Allow debris into pump.) Pump output exceeds design flow rate of filter. Ineffective cleaning.	Check disinfectant content. Check pH, total alkalinity and TDS. Replace baskets. Check pump performance. Clean or replace filter grids per instructions.
High pressure on start-up.	Small eyeball fitting in Pool/Spa. Partially closed valve on return line. Too large of pump. Filter grids dirty.	Replace with larger diameter fitting. Check and fully open all valves on return line. Check pump and filter selection. Clean filter grids per instructions.
Dirt returns to pool.	Hole in filter grid fabric. Worn o-ring seal inside filter. Cracked manifold.	Replace filter grid per instructions. Replace o-ring. Replace the manifold assembly.

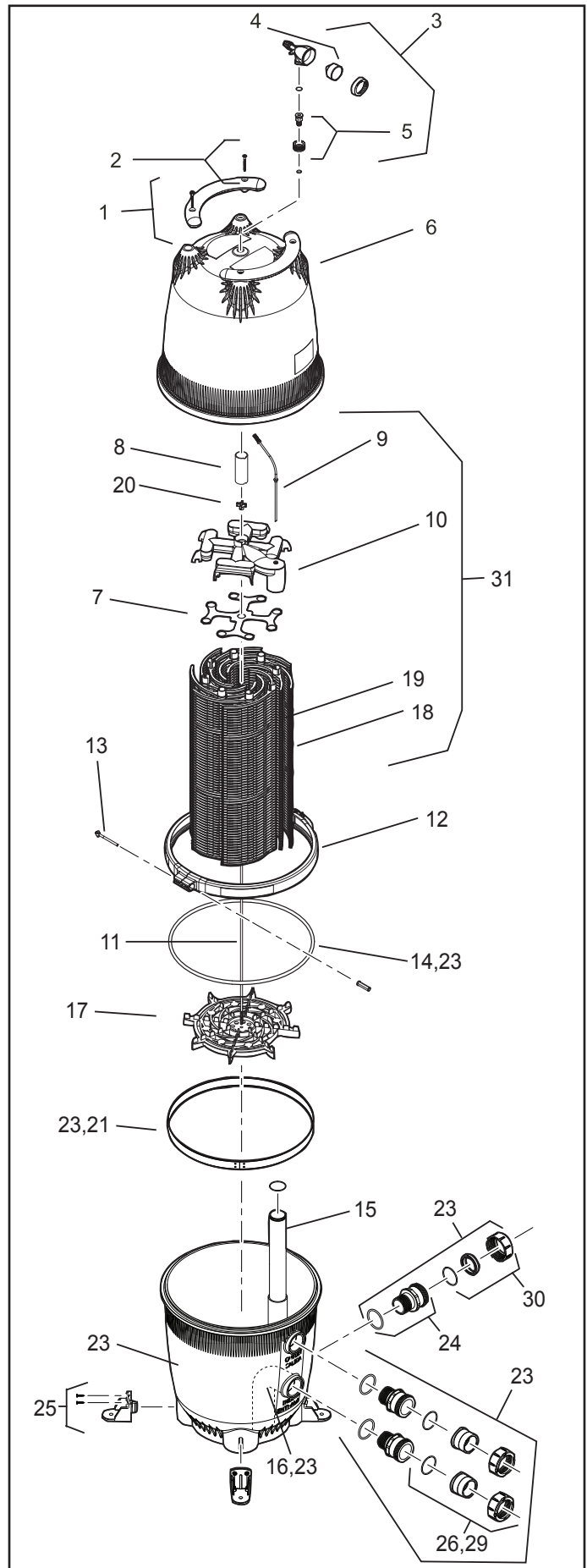
Section 9. Parts List and Exploded View

9.1 Jandy DEV Filter Parts List

Key No.	Description	Part No.
1	Handle Assembly w/ Hardware (set of 2)	R0357100
2	Handle Hardware (set of 4)	R0359900
3	Gauge/Air Release Assembly	R0357200
4	Pressure Gauge	R0359600
5	Tank Adapter w/O-ring	R0552000
6	Tank Lid DEV60	R0357300
	Tank Lid DEV48	R0554700
7	Top Spacer for DE Grids	R0359700
8	Spacer, DEV48/60, Large Filter	R0405100
9	Breather Tube Assembly	R0358700
10	Manifold Assembly	R0359000
11	Tie Rod w/Knob & Lock Nuts, DEV 60	R0359300
	Tie Rod w/Knob & Lock Nuts, DEV 48	R0554800
12	Tank Clamp Ring w/ Rod Assembly	R0357400
13	Threaded Rod and Retainer	R0357500
14	Tank O-ring	R0357800
15	Outlet Tube/Elbow Assembly w/O-rings, DEV60	R0358100
	Outlet Tube/Elbow Assembly w/O-rings, DEV48	R0555100
16	Inlet Elbow w/O-ring	R0358400
17	DE Grid Support	R0359500
18	DE Grid, Full Size, DEV60 (7 required)	R0359100
	DE Grid, Full Size, DEV48 (7 required)	R0555000
19	DE Grid, Short Span, DEV60 (1 only)	R0359200
	DE Grid, Short Span, DEV48 (1 only)	R0554900
20	Tie Rod Knob	R0359400
21	Ring, Retaining	R0405200
22*	O-ring Replacement Kit	R0358000
23	Bottom Assy, Universal Unions	R0466500
24	Bulkhead Assembly with O-ring	R0465600
25	Anchor Bracket Kit (Set of 4)	R0465500
26	Universal Half Unions (set of 4) and Drain Plug Cap (not shown)	R0461800
27*	Complete set of Jandy DEV60 filter grids (7 full-size, 1 short span)	R0442600
28*	Complete set of Jandy DEV48 filter grids (7 full-size, 1 short span)	R0442700
29	Universal Half Union (Set of 1)	R0522900
30	Drain Cap Assembly	R0523000
31	Grid Assembly, DEV48, Complete	R0501300
	Grid Assembly, DEV60, Complete	R0501400

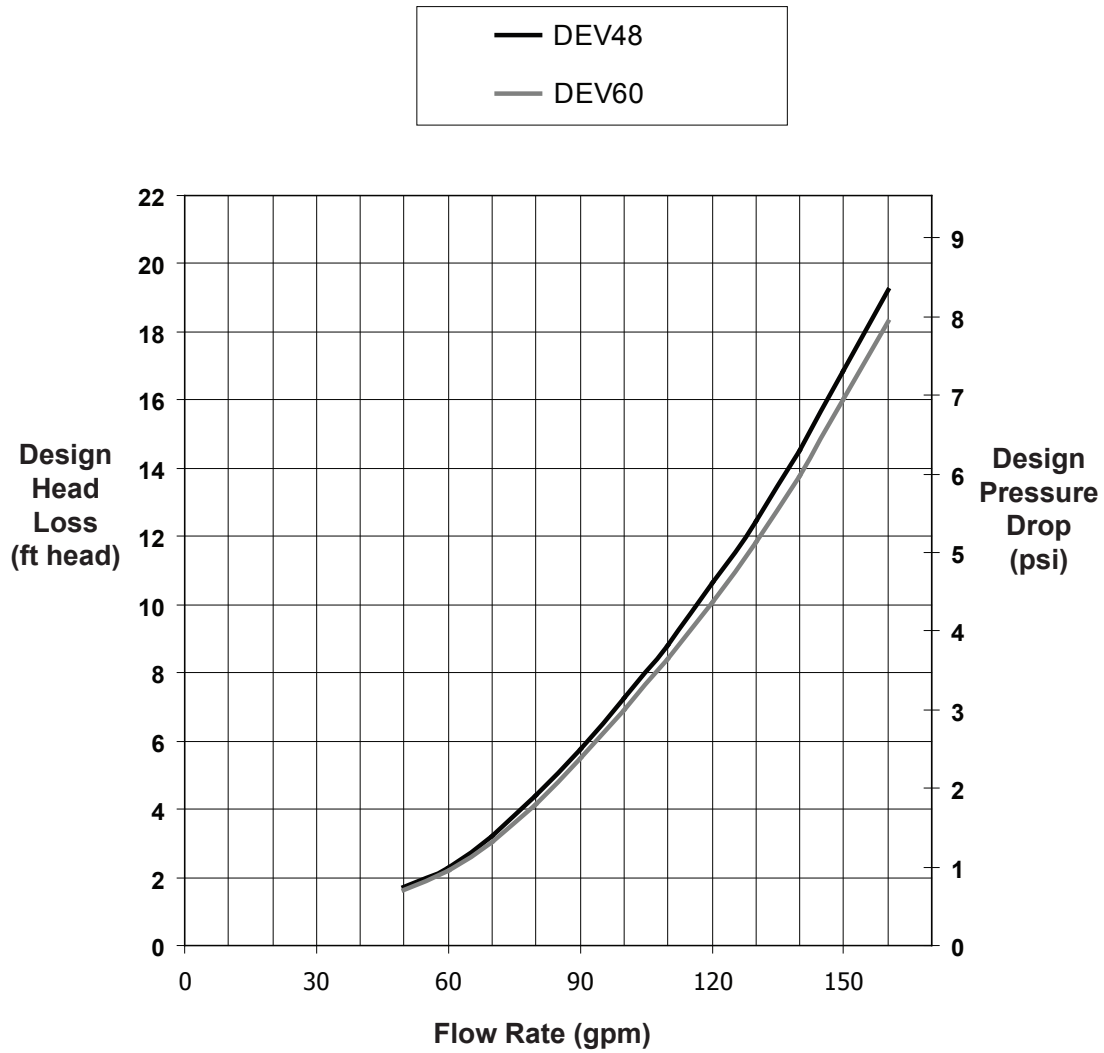
* Parts not shown on key view

9.2 Exploded View of Jandy DEV Filter



Section 10. Head Loss Curves

10.1 Jandy® DEV Filter Design Head Loss Curves



Zodiac Pool Systems LLC
2882 Whiptail Loop East #100, Carlsbad, CA 92010
1.800.822.7933 | www.ZodiacPoolSystems.com

©2019 Zodiac Pool Systems LLC. ZODIAC® is a registered trademark of Zodiac International, S.A.S.U., used under license. All trademarks referenced herein are the property of their respective owners.

H0295200 Rev E